

# Syringe loading tip sheet

## Alaris™ PCA and Syringe modules

### Step one—open the syringe barrel clamp (*clear piece*).

1. Pull the clamp out, and hold it out.
2. Rotate the clamp clockwise or counterclockwise, and gently release it.

### Step two—raise the drive head (*gray in color*) to the fully extended position.

1. Twist the gripper control clockwise, and hold it.
2. Raise the drive head to the full extension.
3. Gently release the gripper control.

### Step three—load the syringe.

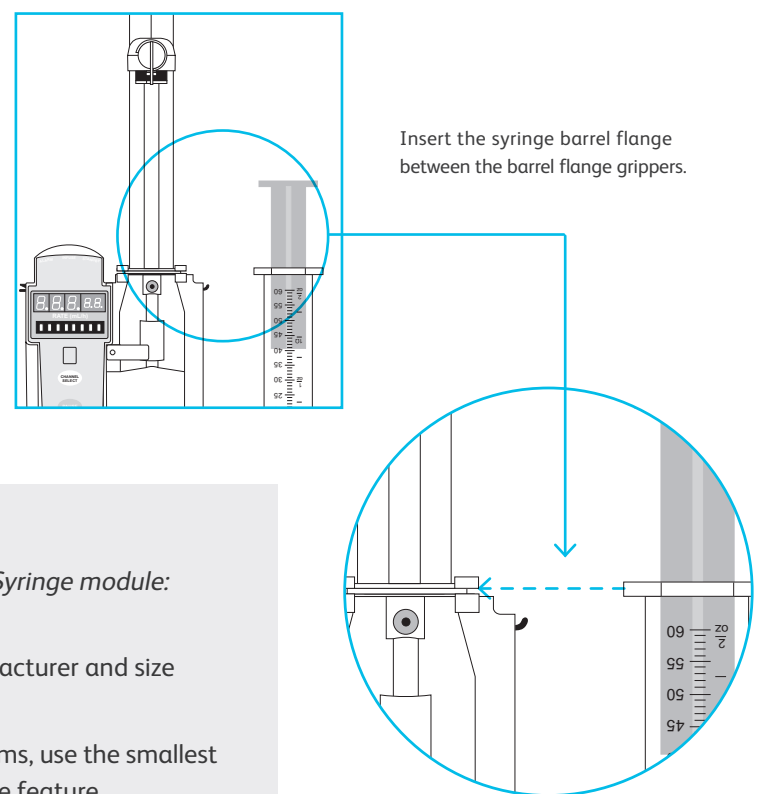
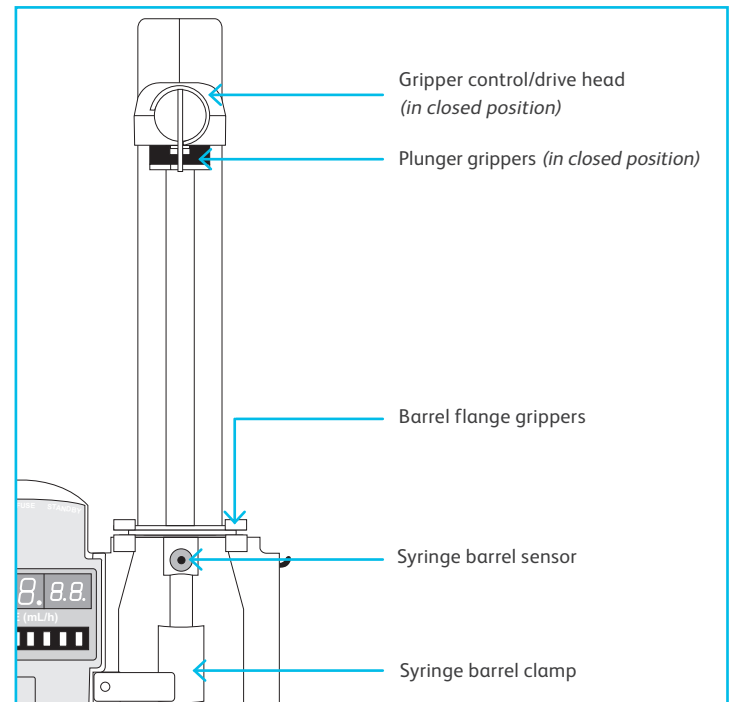
1. Insert the syringe barrel flange between the barrel flange grippers.
2. Ensure the syringe is loaded with the syringe labeling and graduation marks facing forward for easier viewing.

### Step four—lock the syringe in place.

1. Pull the syringe barrel clamp (*clear piece*) out, and hold and rotate it until it lines up with the syringe.
2. Gently release the clamp against the syringe.

### Step five—lower the drive head, and lock the plunger in place.

1. Twist the gripper control clockwise, and hold it.
2. While holding the gripper control open and holding the syringe plunger, gently lower the drive head until it contacts the plunger flange.
3. Gently release the gripper control.



#### Additional tips

1. Ensure an approved syringe is used (*reference the user manual or tip sheet titled: Alaris™ Syringe module: compatible syringes and flow rate ranges*).
2. Ensure the syringe is chosen correctly on the display. Selecting an incorrect syringe manufacturer and size may cause an underinfusion or overinfusion to the patient.
3. To decrease start-up delays, delivery inaccuracies and delayed generation of occlusion alarms, use the smallest syringe size possible and prime the tubing with the device, using the Prime Set with Syringe feature.
4. If the installed syringe is loaded correctly, but not recognized, check for the following:
  - If a label is between the syringe barrel and the barrel clamp, make sure that it does not erroneously enlarge the barrel size of the syringe.
  - If a needle-free valve or other component is added to the syringe, ensure that it is no larger than the diameter of the syringe barrel.

Thick labeling or adding a component to the syringe that is larger than the diameter of the syringe may prevent the device from correctly recognizing the installed syringe. Selecting an incorrect syringe may cause an underinfusion or overinfusion to the patient. If the issue continues despite the above troubleshooting, send the device to your facility's biomedical engineering department for servicing.

For product support, contact Customer Advocacy at **888.812.3266** or [customerfeedback@bd.com](mailto:customerfeedback@bd.com).

For technical support, contact Instrument Technical Support at **866.488.1408**.

For product orders, contact Customer Order Management at **800.482.4822**.

BD, San Diego, CA, 92130, U.S.

[bd.com](http://bd.com)

