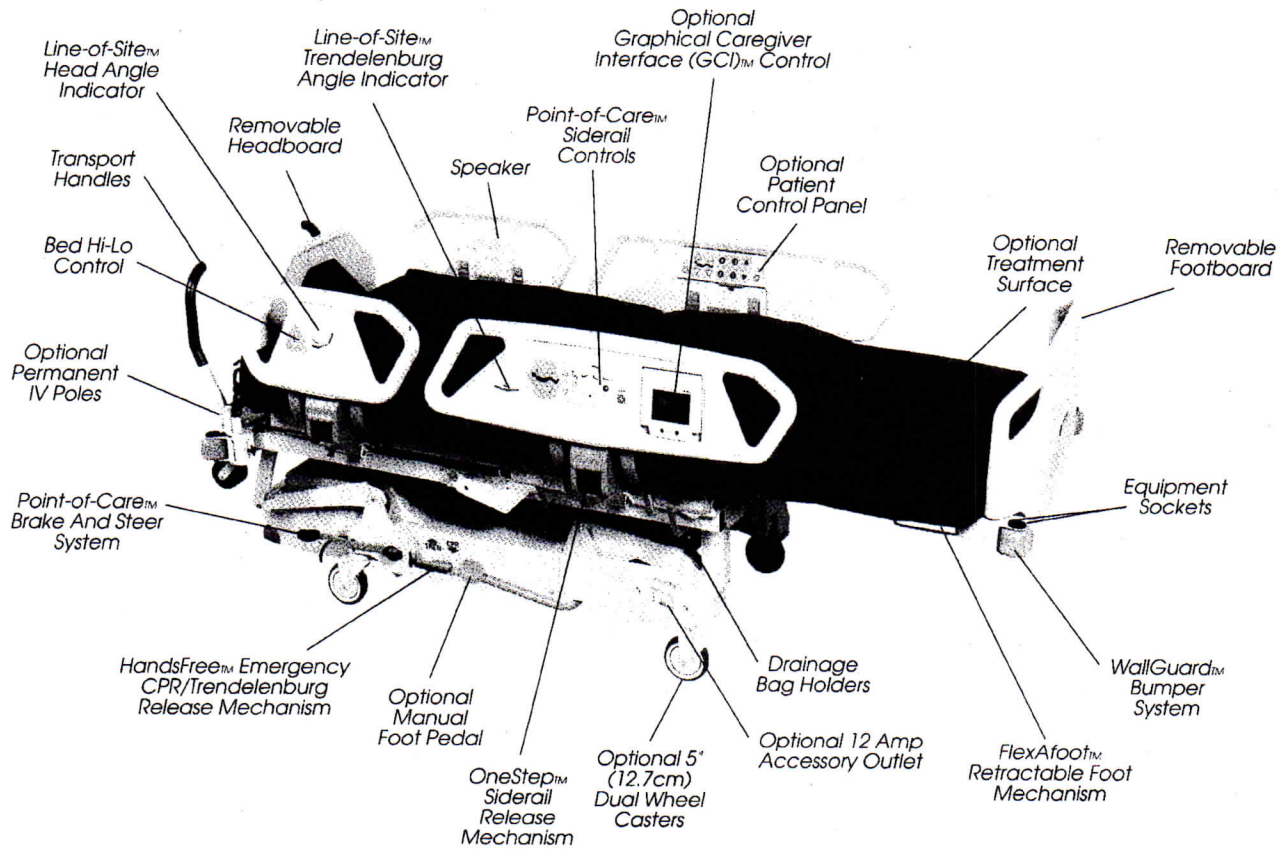


FEATURES



INTENDED USE

Patient Characteristics:

- Height: 74" (188 cm) maximum, 54" (137.2 cm) minimum
- Width: 36" (91.4 cm) maximum
- Weight: *500 lbs. (226.8 kg) maximum, 70 lbs. (32.0 kg) minimum

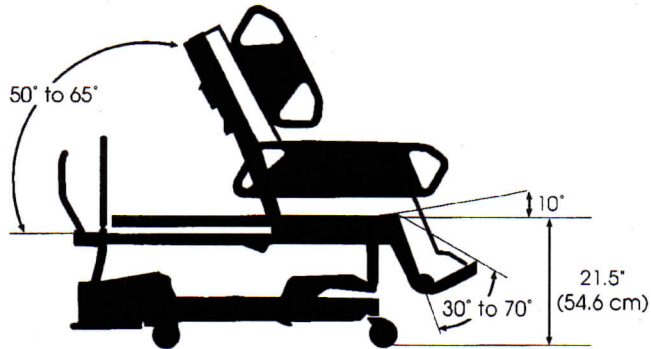
*Includes mattress, IV pumps, poles, bags, etc. Scale accuracy may be diminished if patient weight exceeds 400 lbs. (181.4 kg). Mattress interface pressure performance may be diminished if patient weight exceeds 300 lbs. (136.1 kg).

SAFETY TIP:

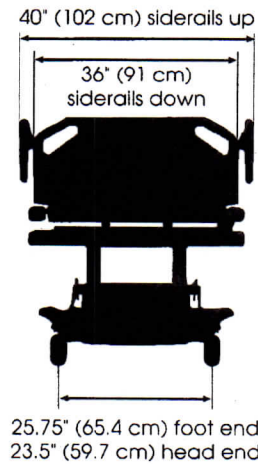
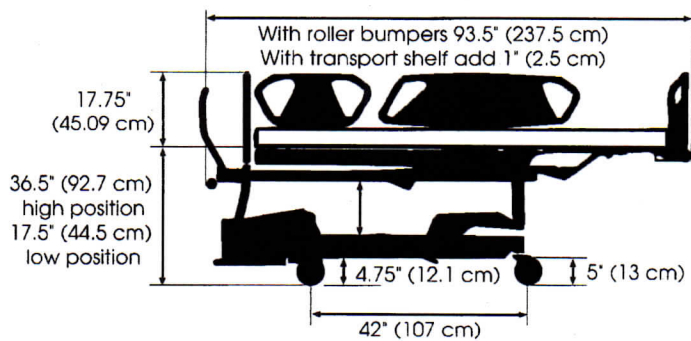
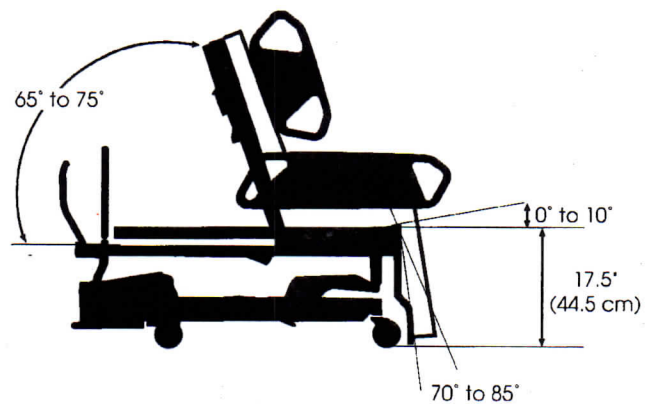
⚠ Do not use the product outside the recommended patient height, width and weight ranges.

DIMENSIONS

CHAIR POSITION



CHAIR EGRESS POSITION



Mattress Size	35" x 84" (89 cm x 213.4 cm)
Foot Retraction	12" (30.5 cm)
Trendelenburg/Reverse Trendelenburg	15°/15°
Emergency Trendelenburg	20°
Head Section	75°
Knee	20°

Automatic Knee Contour	10°
Foot	85° Down
Preliminary Tilt Table	20°
Articulating Deck	32.5" x 84" (82.6 cm x 213.4 cm)
Weighing Capacity	400 lbs. (181.4 kg)
Maximum Safe Working Load	500 lbs. (226.8 kg)